



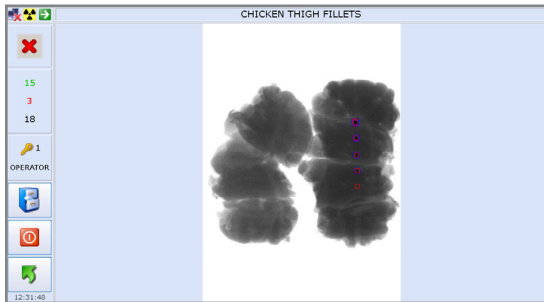
# X5DE Space Saver X-ray Inspection System

Designed for Food & Packaging Industries

X-Ray Detection

## Product Highlights

- Dual Energy detection X-ray system designed to be integrated into line with optional freestanding reject. Available with a 500mm belt width, the X5DE Space Saver is perfect for products with a height of up to 180mm.
- The system provides improved detection of all metals, bone, glass and dense plastic in complex products and those packed in foil trays or metalized film.
- Belt speeds of up to 60m/min.
- Fast inspection with the set-up wizard automatically optimizing the X5DE Space Saver for each product type allowing you to learn and switch within minutes.
- High duty cycle X-ray tanks for low cost of ownership.
- Reliable conveyor components, built for 24/7 operation.
- Lead-free construction. Our systems use safer and more environmentally friendly radiation protection materials throughout.



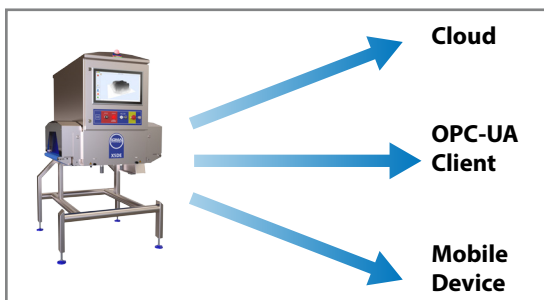
### Dual Energy Detection

Provides superior accuracy, significantly **reducing false rejects** and ensuring precise, contaminant detection through adaptive image enhancement. Our unique **multi-level detection algorithms**, allow for sharp, accurate and clear imaging for consistent contaminant detection.



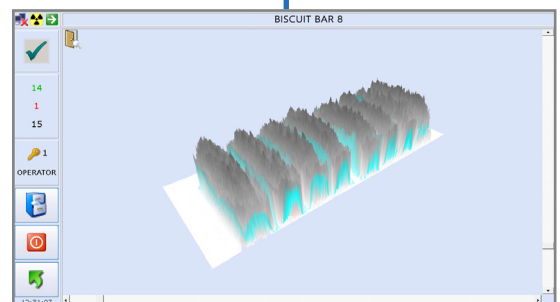
### Enhanced Machine Security

Login via **programmable RFID tags** provides enhanced security and traceability, as well as speeding up the log in process.



### Improved Data Exchange

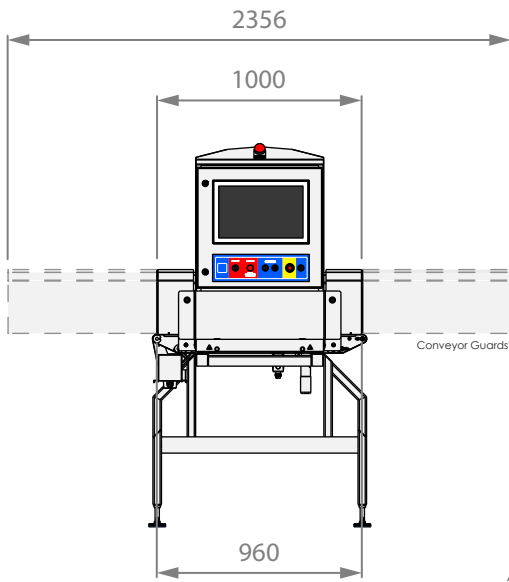
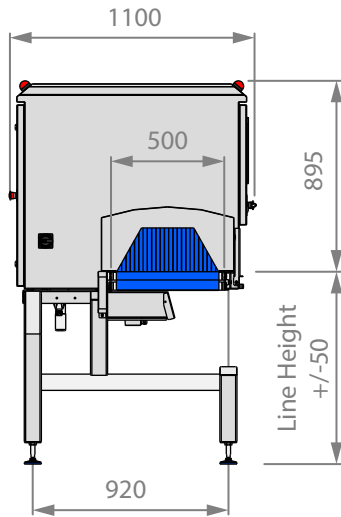
Communicating via the **OPC-UA** standard, the X5DE offers **Industry 4.0 connectivity** with simplified data exchange.



### Product Integrity Checks

Ability to check if the correct quantity of product is in the packaging or assess the product for breakages or deformities. Check for missing inserts at the same time as contaminant detection.

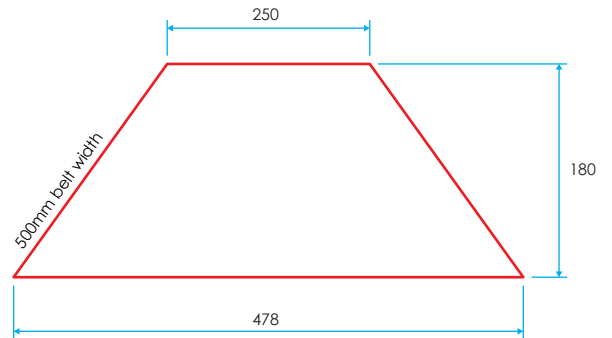
# Technical Specification



All dimensions in mm

Finish	304 Brushed Stainless Steel
System Length	1000mm
Line Height Options	700mm - 1000mm +/- 50mm
Product Height (recommended maximum)	180mm (<120mm if product is a solid mass)
X-ray Output (maximum)	210W (60kV 3.5mA)
IP Rating	IP66
Belt Width	500mm
Belt Type	PU Blue Belt
Max Product Weight	30kg
Speed Range	20 - 60m/min
Power Requirements	230/1ph/50Hz N+E / 110/1ph/60Hz N+E
Cooling	Vortex or AC Air Conditioning
Operating Environment (Vortex Standard)	2 - 10°C with warm up 10 to 25°C Vortex
Operating Environment AC Air Conditioning (Option)	25°C to 35°C AC Air Conditioning (Cabinet reduced to NEMA 4X with AC Option)
X-ray Safety	Leakage less than 1 µSv/h
Detection Algorithms	19 Multi-level Algorithms combined in any combinations
Reporting	Event, Batch, Shift, PVS
Data Retrieval	Via USB, Ethernet (OPC-UA, LomaData, or TRACS)
RFID Compatibility	13.56 MHz - High Frequency

## Product Inspection Sizes

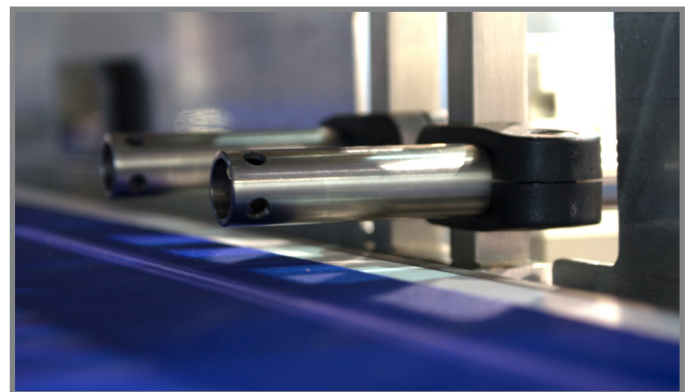


\*Although the machine installation requires a line length of 1000 mm, the system is supplied with extended covers to prevent limb access into the x-ray chamber and provide compliance with the Machinery Directive. During installation the extended covers should be fitted, or equivalent protection be provided by other inline equipment (e.g. a reject conveyor), or guarding on both the infeed and outfeed.

## Automatic Reject Options

The X5DE Space Saver is supplied as standard with two output signals suitable for triggering third-party reject systems. Alternatively, it can be specified with a stand-alone automatic reject station (with retail compliance) with the following options:

- Pusher
- Air-blast, single nozzle
- Air-blast, dual nozzle



An ITW Company

[www.loma.com](http://www.loma.com)

Tel: +44 (0)1252 893300 (UK) | +1-800-872-LOMA (North America)

**Metal Detection | Checkweighing | X-Ray Inspection**

In association with



Loma Systems is a registered trademark of Illinois Tool Works Inc. (ITW). Other names, logos, icons and marks identifying our products and services referenced herein are trademarks of ITW and may not be used without the prior written permission of ITW. Other product and company names listed are trademarks or trade names of their respective companies. Copyright © 2025 Illinois Tool Works Inc. All rights reserved. All of the specifications shown in this document are subject to change without notice.

X5DESSDENV1202501