



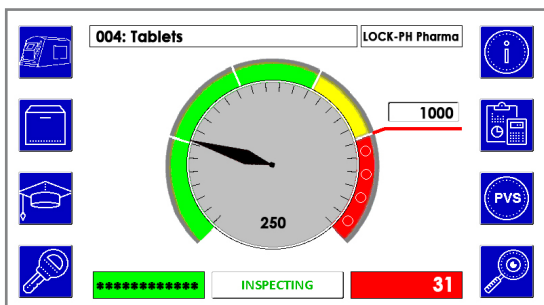
IQ4 LOCK-PH Pharmaceutical Vertical Fall - Metal Detection

Designed for the Pharmaceutical & Nutraceutical Industries

Metal
Detection

Product Highlights

- Designed for inspecting granular and powder products
- Enhanced product throughput of 3000kg an hour
- Best in class calibrated detection levels of 0.3mmFE, 0.35mmNFE, 0.5mm St/St
- Full IQ, OQ, PQ validation documents and certification
- Design and construction compliant with 21 CFR, parts 210 and 211 and certified to NEMA 4X / IP66
- The unit includes, standard failsafes, reject confirmation audible alarm and air failure



7" Touchscreen with a new easy to use interface

The new 7" touchscreen ensures simple and efficient user access and simple operation.



External USB Port for Data Reports

Each unit is supplied with an external USB port to download data for secure storage and distribution in pdf or other formats. Wired or wireless ethernet and SCADA capability are available.



Auto Learn Provides Simple and Fast Set-up

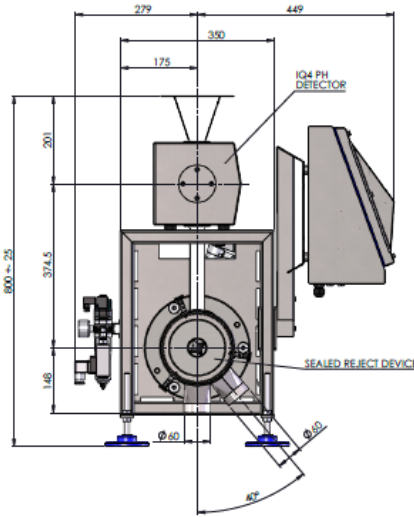
The IQ4 LOCK-PH will automatically set-up and store 200 different pre-sets, calibrating for product effect and loose material as the product passes through the system.



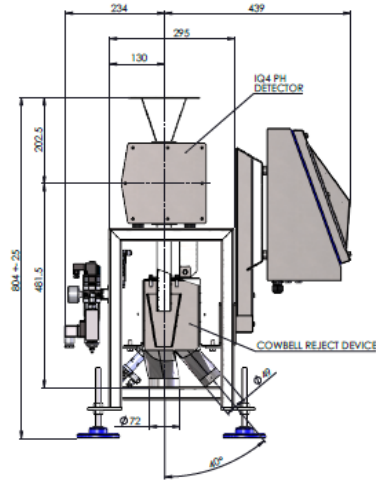
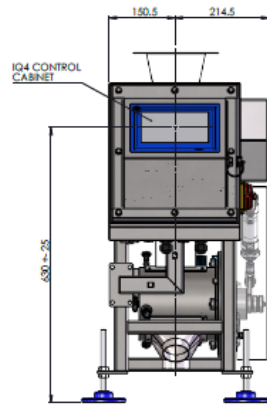
Designed to Survive

Technical Specification

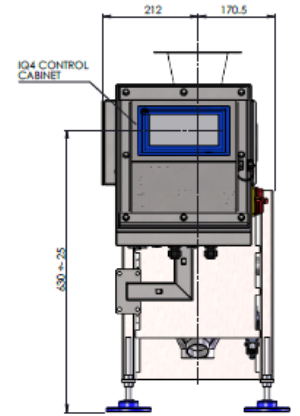
Material of Construction	304 Polished Stainless Steel with 316 mirror polished Stainless Steel reject
Single Frequency	1MHZ
Supply Voltages	110 - 250V AC 50/60Hz
Power Consumption	20VA
Temperature Range	-10°C TO 40°C (14°F to 104°F)
Humidity	0 to 95% Relative Humidity (Non-condensing)
Environment	IP66
PVS Enabled	Yes (Sample Test)
Ethernet Capability	Yes
USB Capability	Yes



Sealed Valve Reject



Cowbell Reject

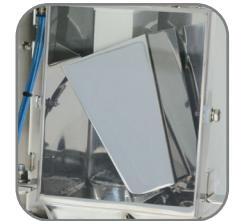


Automatic Reject Options

There are two different reject systems available to ensure contaminants are safely and reliably rejected from the production line. The Sealed Valve Reject is completely dust-tight thus eliminating any cross contamination. The Cowbell-type diverter style reject will reject contaminated product into a separate reject bin.



Sealed Valve Reject



Cowbell Diverter Reject



An ITW Company

Loma Systems is a registered trademark of Illinois Tool Works Inc. (ITW). Other names, logos, icons and marks identifying our products and services referenced herein are trademarks of ITW and may not be used without the prior written permission of ITW. Other product and company names listed are trademarks or trade names of their respective companies. Copyright © 2019 Illinois Tool Works Inc. All rights reserved. All of the specifications shown in this document are subject to change without notice.

www.loma.com

Tel: +44(0)1252 893300 (UK) | +1-800-872-LOMA (North America)

Metal Detection | Checkweighing | X-Ray Inspection

In association with

