

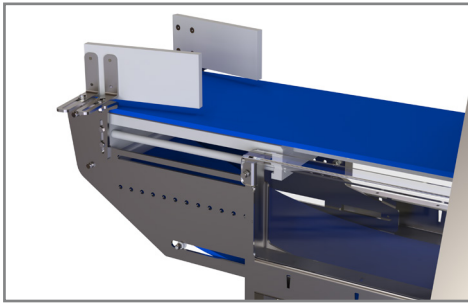


FLEX™ Metal Detector Conveyor

Designed for **Food & Packaging Industries**

Product Highlights

- FLEX is a fully functional Metal Detector Conveyor system built on fast lead times under Loma's QuickBuild programme
- Includes features to accommodate a variety of line heights and lengths in a single frame design providing future flexibility for changing line or factory layouts
- 300, 400 or 500 mm belt width models
- Compatible with IQ4M, IQ4H, IQ4X or IQ3X Metal Detectors with aperture sizes specified
- Stop on Detect (Belt-Stop) or Automatic Rejection (Pusher or Twin Air Blast) options
- Product Guides, Visual/Audible Alarm (Lampstack), Retail Compliance features as standard



Flexible for Most Line Configurations

A FLEX can be configured to suit conveyor lengths from 1500 to 2100 mm with height adjustment to most production lines



QuickBuild to meet Factory Demands

A FLEX system is available to ship within fast lead times helping customers to keep up with peak demands or overcome unplanned downtime



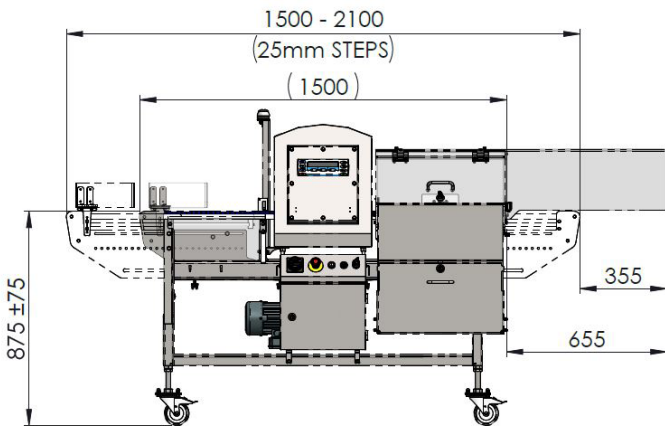
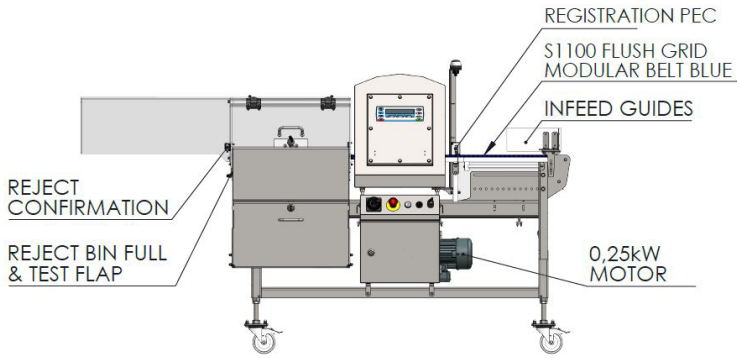
Fully Functional Conveyor System

The FLEX conveyor can be specified to suit most common metal detector inspection needs



Technical Specification

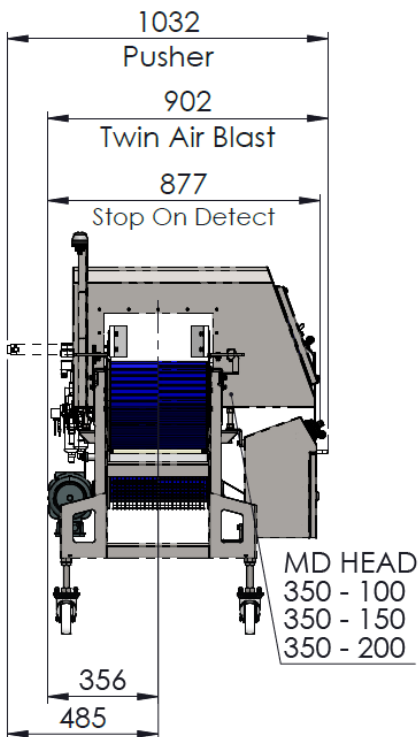
Machine Handling: Outfeed Left <<



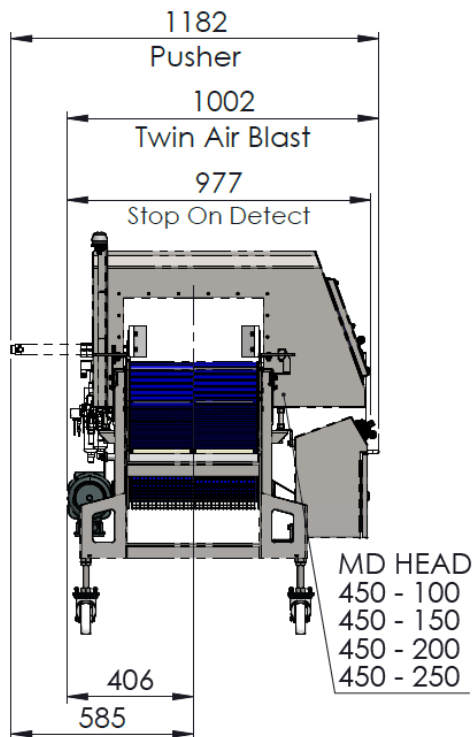
Machine Handling: Outfeed Right >>

Line Length	1500 to 21000 mm (25 increments)
Line Height	800 - 950 mm (Wheels) 700 - 950 mm (Feet)
Belt Width	300 400 500 mm
Flow Direction	Left to Right Right to Left
Reject Options	Stop on Detect (SOD) Auto-Rejection: Pusher or Twin Air-Blast
Operating Temperature	-10 to +40 °C
Relative Humidity	80% up to 31°C
Ingress Protection (IP) Rating	IP66
Compliance Levels	SOD or Retail Compliant Auto-Rejection
Power Requirements	220 - 240 V, 1-phase 50 Hz neutral & earth 110 - 120 V, 1-phase 60 Hz neutral & earth
MD Aperture Sizes	Only aperture sizes shown below
Features	Infeed Product Guides, Lampstack
Belt Type	Series 1100 Flush Grid Modular Belt in Blue (optional Flat Top variant)

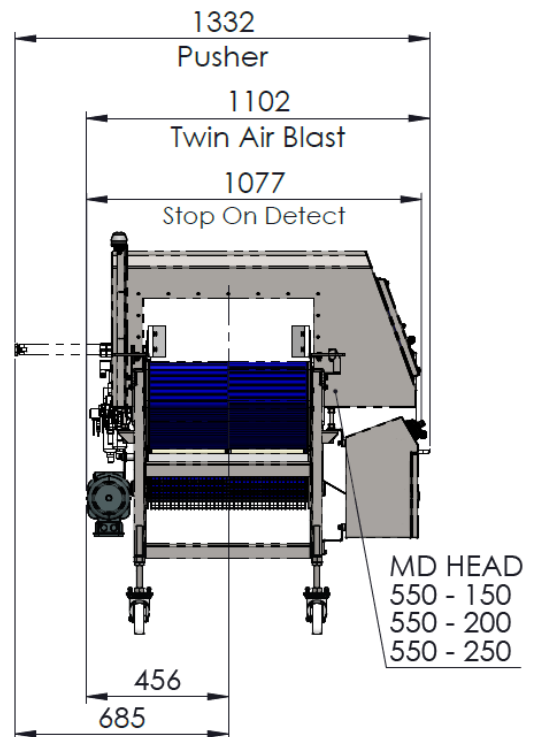
Belt Width: 300mm



Belt Width: 400mm



Belt Width: 500mm



An ITW Company

www.loma.com

Tel: +44 1252 893300 (UK) | +1-800-872-LOMA (North America)

Metal Detection | Checkweighing | X-Ray Inspection

In association with



Loma Systems is a registered trademark of Illinois Tool Works Inc. (ITW). Other names, logos, icons and marks identifying our products and services referenced herein are trademarks of ITW and may not be used without the prior written permission of ITW. Other product and company names listed are trademarks or trade names of their respective companies. Copyright © 2022 Illinois Tool Works Inc. All rights reserved. All of the specifications shown in this document are subject to change without notice.

FLEX_EN_V2_893202312