



CW³ 400UL, 1500L, 6000M & 12000HW - Dynamic Checkweigher Systems

Designed for Food & Packaging Industries

Product Highlights

- For dynamic weighing of large end-of-line packaged goods including convenience foods, sachets and ready meals up to 12Kg
- Complete system available with specification including BRC, IFS, & Retail compliance
- Approved systems to OIML R51 and MID (EC TAC)
- Automatic Mean Weight Correction to help meet weight legislation
- Brushless motors & proven conveyor components designed for reliable 24/7 operation



Simple Operation with Colour Touchscreen

Icon driven full colour touchscreen control interface, including multilevel password access and data logged events to aid traceability



Fast, Simple & Accurate Setup

Type in your product details, initiate setup, and pass a pack several times and the CW3 is automatically set-up and ready to use for average or mean weights



Save Money, Reduce Product Give Away

Using a highly reliable loadcell technologie the CW3 gives you accurate readings whilst minimalising unnecessary product give away



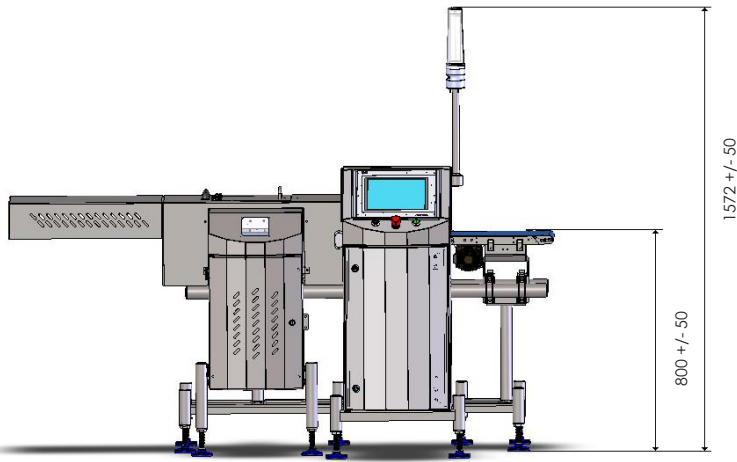
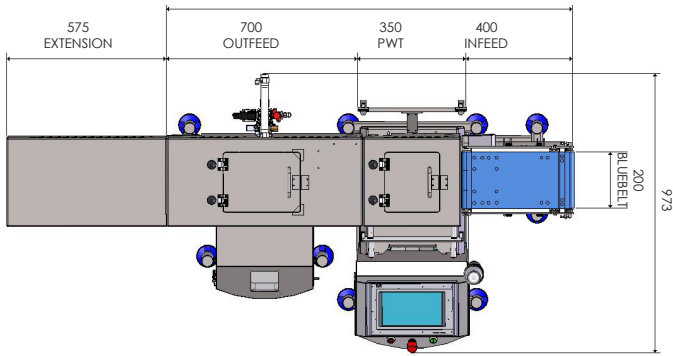
Product Menu [11/11]

Number	Name	Nominal Weight	Date Last Used
0	DefaultProduct	100.0g	09:34 01/11/2016
1	Chocolate	200.0g	09:34 01/11/2016
2	Peanuts	50.0g	09:34 01/11/2016
3	Cake bar	50.0g	09:36 01/11/2016
4	Muffin	33.0g	09:38 01/11/2016
5	Bread	300.0g	09:40 01/11/2016
6	Pastry	65.0g	09:45 01/11/2016
7	Tiger Loaf	500.0g	09:51 01/11/2016
8	Dark Choc	28.0g	09:54 01/11/2016
9	Cookies	40.0g	09:57 01/11/2016
10	Crisps	17.0g	10:01 01/11/2016

Switch Products in Seconds with a Library of Stored Products

Up to 500 product calibration details are stored in memory ready for fast product recall using multi-product menus

Technical Specification



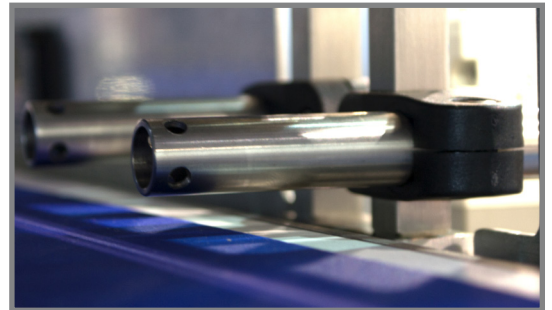
All Measurements in MM (Model Shown 1500UL)

	Models			
	400UL	1500UL	6000M	12000HW
Weight Range (g) MID/R51 Approved	15 - 400	50 - 1500	50 - 6000	500 - 12000
Weight Range (g) Non - Approved	5 - 400	10 - 1500	20 - 6000	125 - 6000
Typical Accuracy (g)	0.12	0.18	0.30	0.48
Finish	304 stainless steel			
Line Height Options	750,800,850,900,950mm +/- 50mm			
Maximum Speed	115m/min			
Supply Voltages	110 or 230V/1ph / N+E 50 or 60Hz			
Air Supply	5 to 8 Bar (10mm Outside Dia) 72-116 PSI			
Operating Temperatures	0-40°C			
IP Rating	IP66			
Belt Width	9x15mm/200/300/400mm (Model Dependent)			
Belt Type	PU Anti Static			
Reporting	Batch, Shift			
Data Retrieval	Via USB, Ethernet, Enet, Tracs			

Automatic Reject Options

The CW3 is supplied as standard with two output signals suitable for triggering third-party reject systems. Alternatively, it can be specified with an optional extra automatic reject station (with retail compliance) with the following options:

- Pusher
- Air-blast
- Plough
- Flipper
- Declining



An ITW Company

Loma Systems is a registered trademark of Illinois Tool Works Inc. (ITW). Other names, logos, icons and marks identifying our products and services referenced herein are trademarks of ITW and may not be used without the prior written permission of ITW. Other product and company names listed are trademarks or trade names of their respective companies. Copyright © 2018 Illinois Tool Works Inc. All rights reserved. All of the specifications shown in this document are subject to change without notice.

www.loma.com

Tel: +44(0)1252 893300 (UK) | +1-800-872-LOMA (North America)

Metal Detection | Checkweighing | X-Ray Inspection

In association with



CW3RANGE_893201901