



CW³ Automatic Checkweigher HeavyWeight

www.loma.com

Versatile, proven checkweighing systems for the food and packaging industries



- **Versatile** Bag or case weighing up to 60kgs and up to 850mm long
- **Accurate** Excellent accuracy, especially with flexible packaging
- **Fast** Belt speeds up to 50m/min
- **Reliable** Heavy duty conveyor components, high quality electronics
- **Accredited** OIML R51 and EC TAC (MID) approved
- **Easy to use** Full colour graphical touch screen
- **Environment** Approved from **ZERO** 0°C to 40°C

Metal Detection

X-ray Inspection

Checkweighers

Data Capture

Designed to Survive

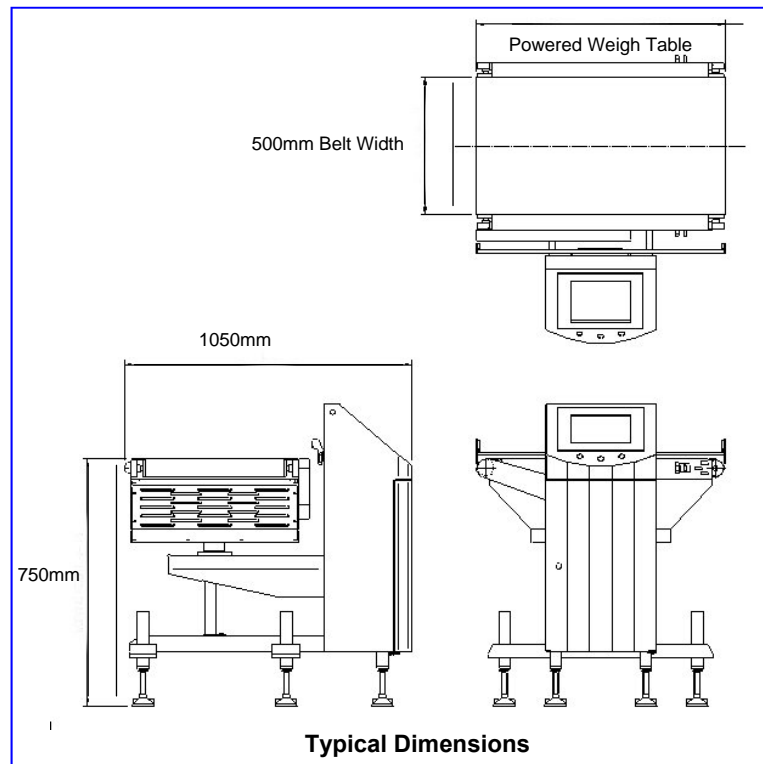


CW³ Automatic Checkweigher HeavyWeight

Finish:	304 stainless steel with bead blast finish
Available Line Heights:	750mm - 1100mm
Available System Lengths:	800mm - 3000mm
Maximum Weight:	60kg
Maximum Product Width:	600mm
Maximum Product Length:	850mm
Typical Accuracy, Un:	1.8g
Capacity:	60ppm
Supply Voltages:	110 or 230V/1ph/N+E 50 or 60Hz
Air Supply:	5 to 8 bar
Typical Reject Options:	Pusher, Diverter, Line Stop
Environment:	IP65
Belt type:	Food quality flat belt - quick release (no tools required)
Standard inclusions:	Adjustable feet, Reject bin, USB socket, Multi speed, Pack pitch monitor, LED Indicator Stack
Options:	Servo feedback signal - for filler control, Serial Link, LomaEnet, 316 stainless steel

Technical Specification

- Stainless steel construction
- Application specific filtering
- Automatic mean weight correction
- Sample packs function
- Multi-product memory (500)
- Brushless motors
- High capacity loadcell
- True multi-speed
- R51/MID Approved



Loma Systems, Summit Ave, Southwood, Farnborough, Hampshire, GU14 0NY

Tel: +44 (0)1252 893300

Fax: +44 (0)1252 513322

Email: sales@loma.co.uk

Designed to Survive