



# LomaEnet Reports Capture System

[www.loma.com](http://www.loma.com)

Ethernet Reports Capture System for the Loma range of products



- **Versatile** Report capture software delivering valuable product data to network PC's
- **Easy to use** User friendly Windows environment
- **Rapid Payback** Identify give-away and control the process
- **Flexible** Easily connect existing or new Loma equipment onto an Ethernet network
- **Efficient** Eliminate paper records and data entry, for HACCP and Weight compliance

Metal Detection

X-ray Inspection

Checkweighers

Data Capture

*Designed to Survive*



# Reports Capture Systems

Cable: Standard CAT5

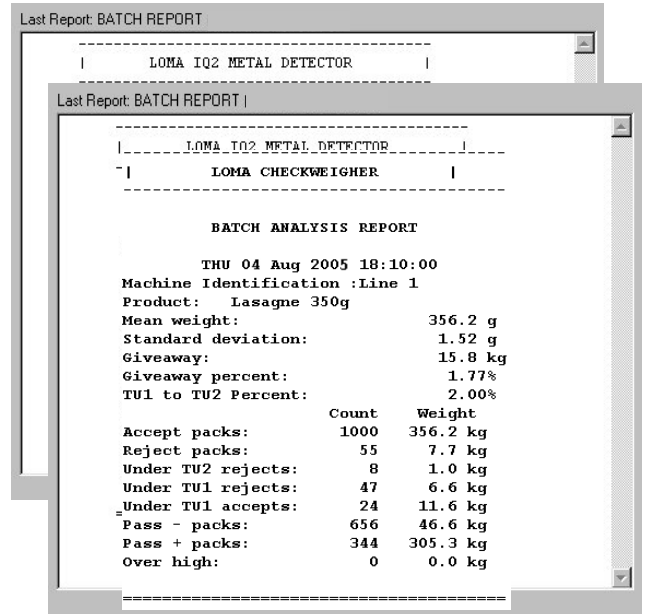
PC: Shared

Operating System: Windows XP

Number of devices: ≤ 40

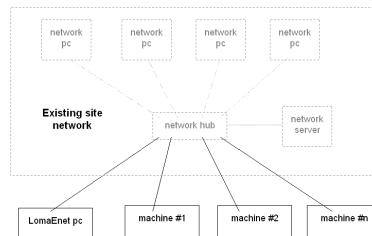
Device compatibility: IQ<sup>2</sup> & <sup>3</sup> Metal Detectors  
AS Range Checkweigher and Combos  
6000/7000 Range Checkweighers and Combos  
X<sup>3</sup> & <sup>4</sup> X-ray Systems

Maximum cable length: Network limited

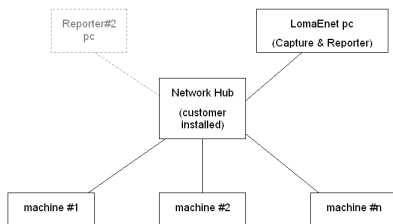


## Typical Network Configurations

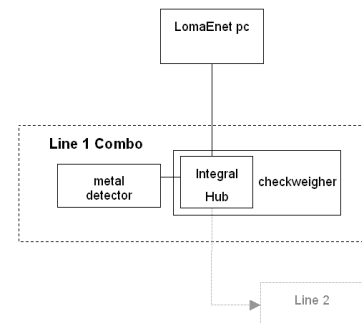
Existing Ethernet Plant Network



Mini-Network (no existing plant network)



Integral Mini-Hub Network (>1 device per line)



USA — Loma Systems, 283 East Lies Road, Carol Stream, IL 60188  
Canada — Loma Canada, 333 Wycroft Road, Unit 11, Oakville, Ontario, L6K 2H2

**Tel:** 1-800-USA-LOMA  
**Tel:** (905) 842 4581

**Fax:** (630) 588-0900  
**Fax:** (905) 842 3460

**Email:** sales@loma.com  
**Email:** lomacanada@loma.com