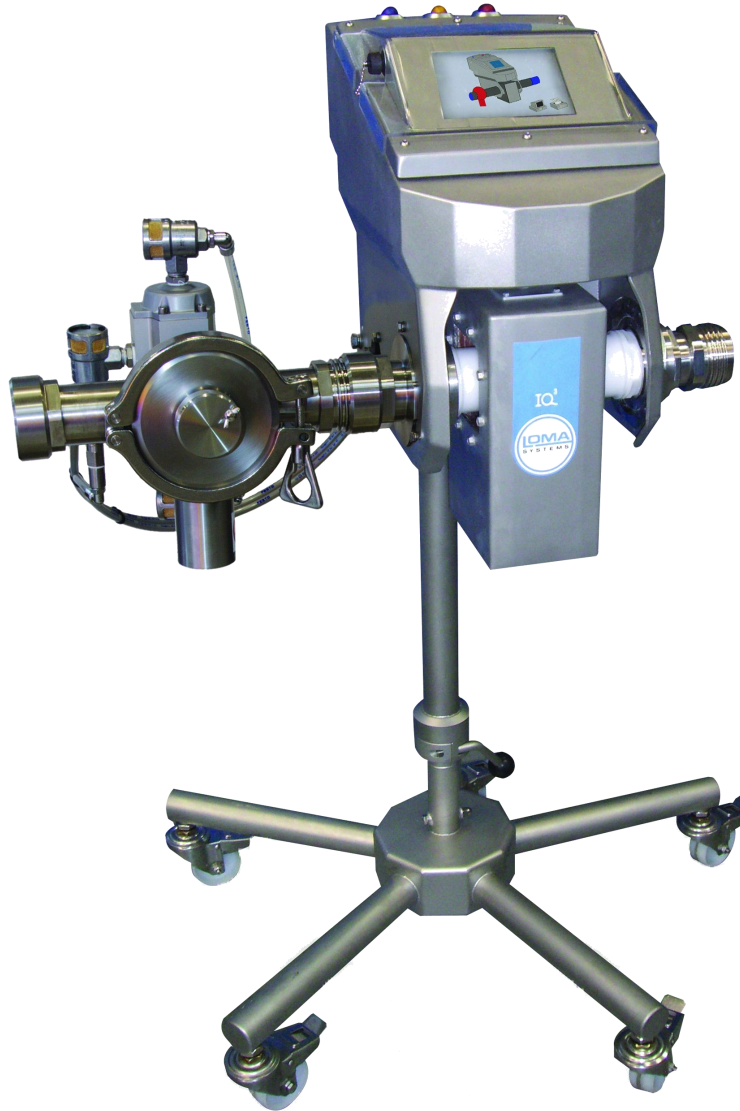




## *IQ<sup>3+</sup> PipeLine Metal Detection*

[www.loma.com](http://www.loma.com)

Versatile, proven metal detection systems for food, and other process industries



- **Versatile** A wide range of pipe diameters and fittings
- **Easy to use** Touch screen - true Variable Frequency detection, adapts to new products in seconds
- **Sensitive** Advanced signal processing provides unsurpassed levels of detection
- **Efficient** Fast acting application specific reject devices minimise product waste
- **Reliable** Heavy duty environmental protection even in the harshest of environments

Metal Detection

X-ray Inspection

Checkweighers

Data Capture

*Designed to Survive*



# IQ<sup>3+</sup> PipeLine Metal Detection

Finish:	304 stainless steel with bead blast finish	
Pipe Diameters: (nominal bore)	2.5" (57mm)	Vacuum Filler applications for strip-down cleaning Typical products - Meat and Sausage
	2" (48mm)    3" (73mm)    4" (98mm)	General pumped applications with CIP cleaning Typical products - Liquids, Emulsions, Slurries and Pastes
Mounting:	Stand on wheels with Gas Strut height adjustment L-Bracket for fixed installations	
Throughput:	Up to 10T/hr	
Fittings:	2.5" (57mm) RD80 x 1/4" (6mm), Handtmann Quick Disconnect 2" (48mm), 3" (73mm) and 4" (98mm) Tri-Clamp Quick Release, 3A Bevel	
Adapter Options:	Various according to application	
Product Pipe:	Standard or water jacket	
Reject Valves:	Various according to application	
Environmental Protection:	IP 69K	
	Keyboard cover supplied as standard	
Options:	Remote Control Box	LomaEnet
	Beacon Stanchion	Remote Reports
	Serial Link	

## Technical Specification

PVS (Performance Validation Signal) to aid HACCP compliance

Various communication options to suit plant integration protocols

Direct transmitter drive to eliminate thermal drift

High field strength to eliminate external interference and deliver the ultimate in noise free detection

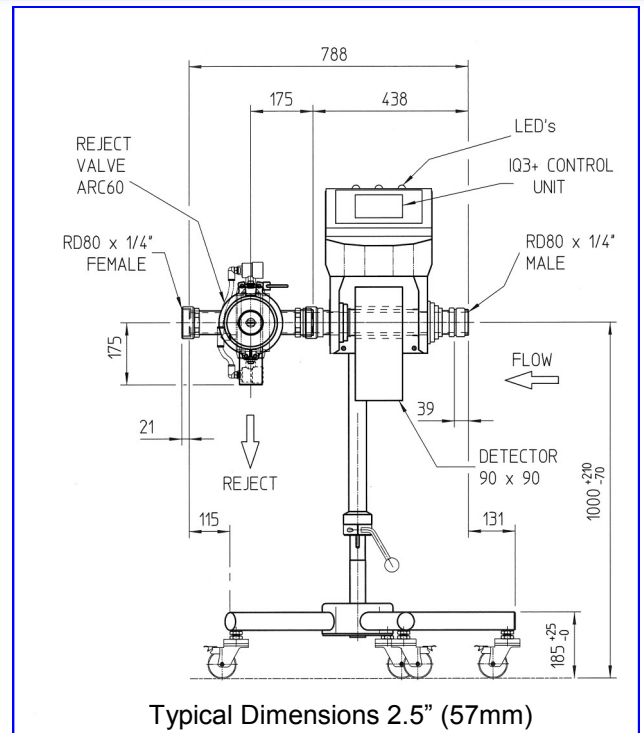
32-bit digital signal processing for enhanced contaminant detection

Hand Filler, Clipper and Linker Applications

Handtmann (VF50, 80, 100, 200, 300, 608, 610, 612, 616, 620, 622, 628, 630)

Vemag (HP7C, HP10C, HP15C, HP17C, HP25E, DP10C, DP15C, ROBBY-2)

Other Manufacturers easily accommodated



USA — Loma Systems, 283 East Lies Road, Carol Stream, IL 60188  
 Canada — Loma Canada, 333 Wycroft Road, Unit 11, Oakville, Ontario, L6K 2H2

**Tel:** 1-800-USA-LOMA  
**Tel:** (905) 842 4581

**Fax:** (630) 588-0900  
**Fax:** (905) 842 3460

**Email:** sales@loma.com  
**Email:** lomacanada@loma.com