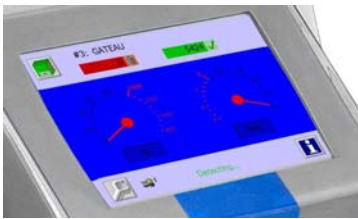




## *IQ<sup>3+</sup> Metal Detector Search Heads*

[www.loma.com](http://www.loma.com)

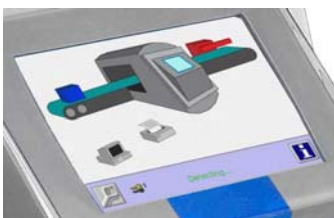
Adaptable and tough, variable frequency metal detection systems for the food and packaging industries. With full colour graphical touch screen



**Operator screen** with Performance Validation countdown timer, which assists in HACCP compliance



**Context Sensitive** help screens, ensures compliance with internal quality standards for testing and validation



**Icon Driven Menus** simply touch the relevant Icon for set up or adjustment



- **Adaptable** True variable frequency detection adapts to new product and packaging in seconds
- **Easy to use** Automatic product learn ensures maximum sensitivity without adjustment
- **Stable** Unique case and coil geometry delivers unsurpassed levels of immunity
- **Flexible** Multiple product memories for rapid product change over and data storage
- **Tough** IP69K environmental protection

Metal Detection

X-ray Inspection

Checkweighers

Data Capture

*Designed to Survive*

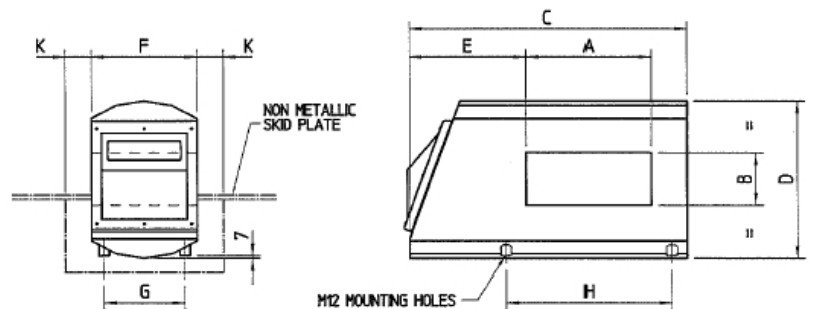


# Metal Detector Search Heads

Finish:	304 stainless steel with bead blast finish	
Supply Voltages:	100, 120, 200, 220, 230, 240V AC 50/60Hz	
Power Consumption:	20VA	
Temperature Range:	-10°C to +40°C (14°F to 104°F)	
Humidity:	0 to 95% Relative Humidity (non-condensing)	
Reject Options:	Air Blast single or twin, Pusher others to order	
Environment:	IP 69K	Blue Head
	IP 69K Ultra Harsh	MAX
Options:	Beacon stanchion	Reject confirm
	LomaEnet	Bin full
	Serial link	Remote reports
	PVS (Performance Validation System)	

## Technical Specification

- Unique clam-shell design case and coil geometry
  - Bifurcated and totally uniform product screen
  - Upgradeable metal detector controls
  - True multi-frequency, standard operating range from 40 to 900KHz
  - Performance Validation System (PVS) to aid HACCP compliance
  - Various communication options to suit plant integration protocols
  - 32-bit digital signal processing for enhanced contaminant detection
  - Standard apertures on rapid delivery
  - Extensive on board reporting facilities meaning HACCP and retailer compliant, Ethernet and OPC compatible
  - Data and product backed up and stored via USB
- Height mm  
100 150 200 250 300 350 450
- Width mm  
250 350 450 550 650 750 950 1150
- \*Other aperture sizes available



DIMENSION A = APERTURE WIDTH  
DIMENSION B = APERTURE HEIGHT

B	75-100	125-150	175-250	275-350	375-450	475-550	575-650	675-750
C	A+430	A+430	A+430	A+530	A+670	A+810	A+830	A+930
D	425	B+300	B+300	B+400	B+500	B+600	B+700	B+800
E	330	330	330	380	470	560	530	580
F	300	300	400	500	600	700	800	1000
G	230	230	330	430	530	630	730	930
H	A+114	A+114	A+114	A+114	A+114	A+114	A+114	A+114
K	75	75	175	275	350	450	550	625

Loma Systems, Summit Ave, Southwood, Farnborough, Hampshire, GU14 0NY

**Tel:** +44 (0)1252 893300

**Fax:** +44 (0)1252 513322

**Email:** sales@loma.co.uk